



## Installation Instructions for FLUSH CABINETS

See Reverse Side for Corner Cabinets

This product is designed for installation by experienced carpenters

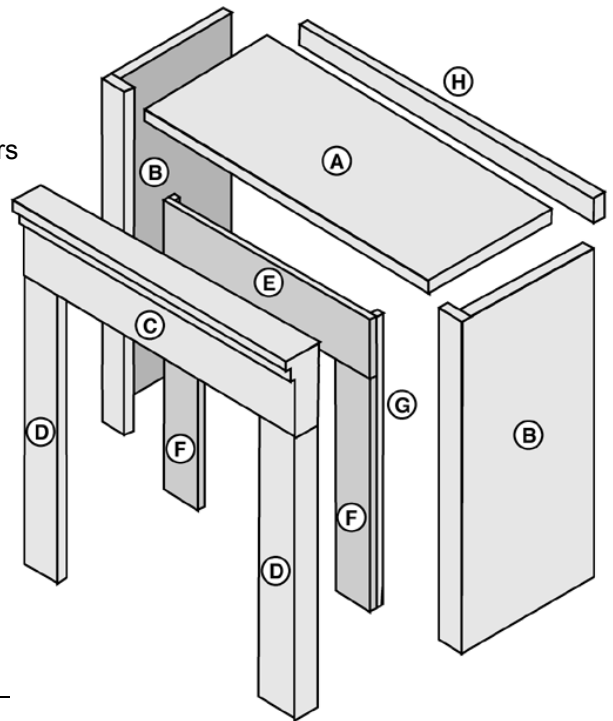
### PARTS

A	1 Top	12	1 5/8" screws
B	2 Sides	8	1" screws
C	1 Mantle breast	4	2 1/2" screws
D	2 Mantle legs	12	1/2" screws
E	1 Filler piece—top	12	No. 4 finish nails
F	2 Filler pieces—sides	8	1 1/4" screws
G	3/4" Blocking		
H	Shelf support		

### TOOLS YOU WILL NEED

Electric screwdriver or power drill

Skill saw, saber saw or hand saw with a fine cut blade



1. Remove existing baseboard.

2. If necessary, trim the filler pieces (F) to fireplace height. The 3/4" blockings (G) come attached to the filler pieces (F) for installations using marble between the filler and the mantle. Turn the filler piece (F) so that the blocking sections are facing out if space is needed for marble; face it in (blockings (G) toward the back) if no marble is being used.

3. Attach the fillers (E&F) to the front of the fireplace by screwing (from back to front) through the side flanges of the fireplace. Use 1/2" screws with blockings (G) facing backwards. To use with marble, screw fillers (E&F) to the side mounting flange of the fireplace from behind the flange with 1/2" wood screws with blockings (G) facing forward.

4. Assemble the mantle front by inserting one leg (D) into the holes in the bottom of the mantle breast (C) and tightening the cam to lock into position. Repeat with other leg (D).

5. Attach the sides (B) to the back of the mantle (C&D) by screwing the 1 5/8" sheetrock screws into the predrilled holes (from back to front).

6. Determine where to place the shelf support on the wall by placing the cabinet over the fireplace, against the wall. Make sure minimum clearances comply with the manufacturers and local fire codes between the fireplace and cabinet or other combustibles. Draw a line along the top of parts (B) where they meet the wall. Check with level. Attach the shelf support to the wall just under this line by screwing through the shelf support into studs with 2 1/2" screws.

7. Fasten the cabinet to the filler pieces (E&F) by screwing them together (from inside the back of the mantle to the front) with 1" screws.

8. Set top (A) on cabinet and secure with #4 finish nails. (Predrill for finish nails.)

9. Sand unit lightly before finishing

**Note: Installer is responsible for maintaining minimum clearances to fireplace and for complying with local fire and building codes.**